

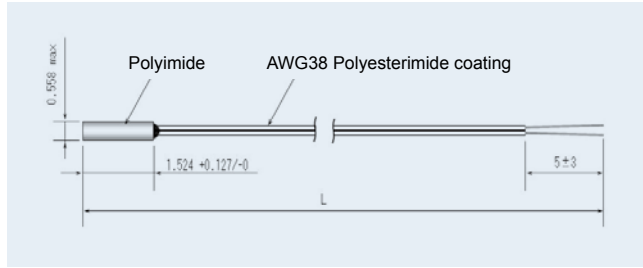
Catheter

13. F μ sensor

Miniature temperature sensor with fast response speed.



Zero power resistance R_{37} :
14.054 k Ω \pm 0.5%
B value $B_{0/50}$:
3454 K \pm 1%
Temperature range:
- 10 to 70°C



Thermal time constant: approx. 0.07 sec. (in water)

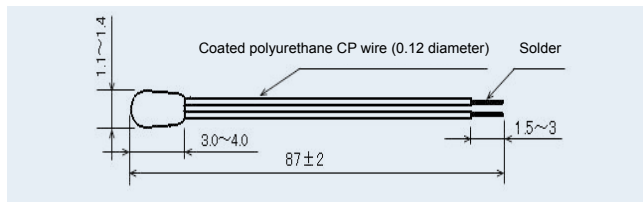
Thermometer / ear thermometer

14. 503ET-3H87U

Small and highly accurate sensor optimized for body temperature measurement.



Zero power resistance R_{37} :
29.614 to 30.264k Ω
Group temp. tolerance R_{37} :
 $R_{37} \pm 0.05\%$ / group
B value $B_{32/41}$:
3943 K \pm 0.5%
Temperature range:
- 40 to 100°C



Thermal time constant: approx. 5 sec.

R_{37} Group (A - U)

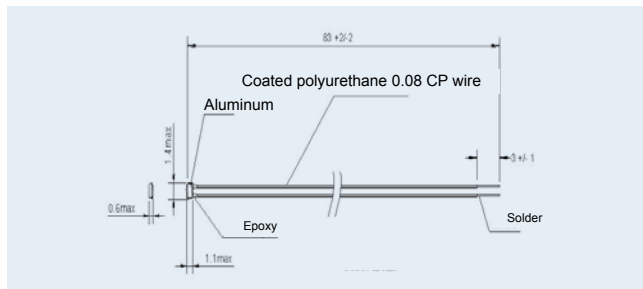
| Group | R_{37} (k Ω) Min/Center/Max | Group | R_{37} (k Ω) Min/Center/Max |
|-------|--|-------|--|
| A | 29.614/29.629/29.644 | B | 29.645/29.660/29.675 |
| C | 29.676/29.691/29.706 | D | 29.707/29.722/29.737 |
| ... | ... | ... | ... |
| S | 30.172/30.187/30.202 | T | 30.203/30.218/30.233 |
| U | 30.234/30.249/30.264 | | |

15. FT-ZM

Small temperature sensor with fast response speed optimized for measuring surface temperatures.



Zero power resistance R_{25} :
50.00 k Ω \pm 5%
B value $B_{25/85}$:
3435 K \pm 1%
Temperature range:
- 10 to 100°C



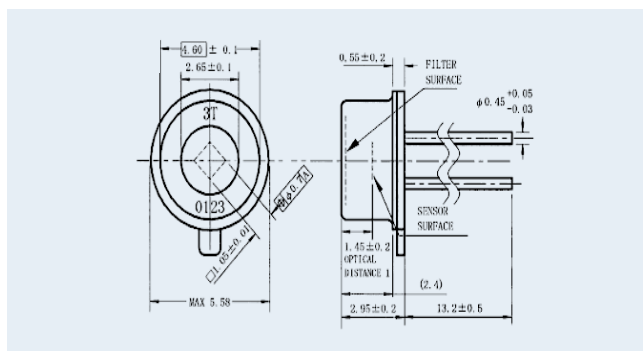
Thermal time constant: approx. 1.5 sec.

16. Thermopile

Non contact temperature sensor using infrared measuring.



Output voltage:
1.00 \pm 30 mV
Thermistor resistance:
 $R_{25} = 100$ k Ω \pm 3%
Thermistor B value:
3435 K \pm 0.7%
Temperature range:
- 20 to 100°C



Thermal time constant: approx. 15 msec.
Angle: $\pm 50^\circ$
Transparent wavelength band: Cut on 5 μ m