

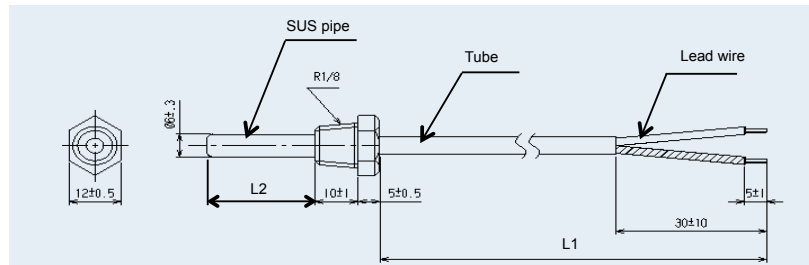
Liquid temperature measurement

28. Screw housing sensor

Screw type temperature sensor that can be used in water or oil tanks.

Zero power resistance R_{25} : 10.0 k Ω \pm 1%
 B value $B_{25/85}$: 3435 K \pm 1%
 Temperature range: -10°C to 105°C

Thermal time constant: approx. 20 sec. (in stirred water)
 Breakdown voltage: AC 1200 V 1 sec.
 Insulation resistance: DC 500 V 100 M Ω +



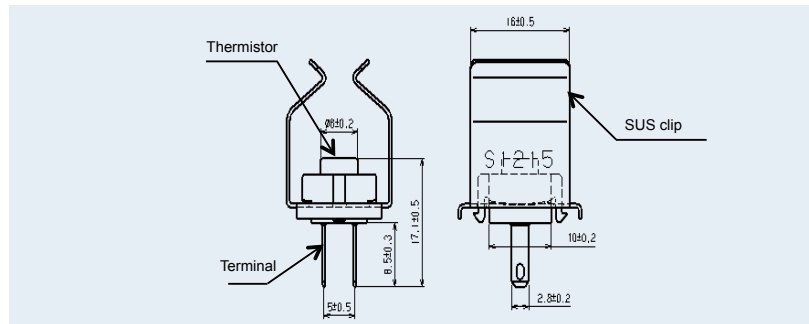
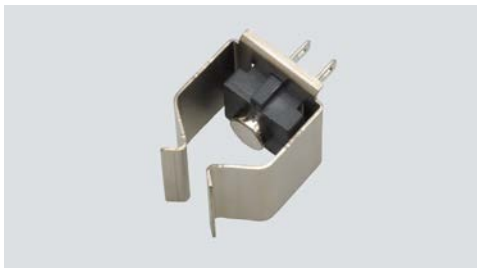
Pipe temperature measurement

29. Clip sensor

Temperature sensor that can be directly mounted to pipes and can be easily exchanged for maintenance.

Zero power resistance R_{85} : 1.075 k Ω \pm 3%
 B value $B_{25/85}$: 3969 K \pm 1%
 Temperature range: -20°C to 120°C

Thermal time constant: approx. 0.6 sec. (roller)
 Breakdown voltage: AC 600 V 1 sec.
 Insulation resistance: DC 500 V 100 M Ω +



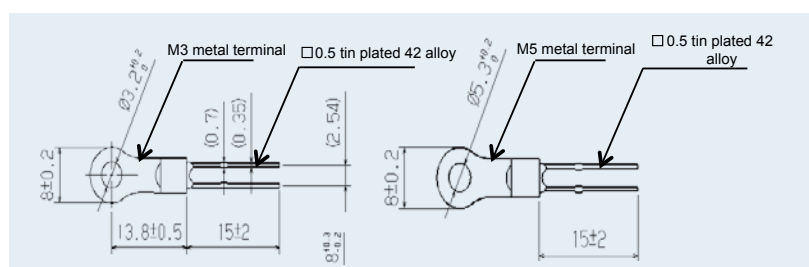
Heat sink

30. Eyelet (lug terminal) sensor

Temperature sensor that can easily be mounted using M3 or M5 screws.

Zero power resistance R_{25} : 10.0 k Ω \pm 0.5%
 B value $B_{25/85}$: 3976 K \pm 0.5%
 Temperature range: -50°C to 150°C

Thermal time constant: approx. 60 sec.
 Breakdown voltage: AC 600 V 1 sec.
 Insulation resistance: DC 500 V 100 M Ω +

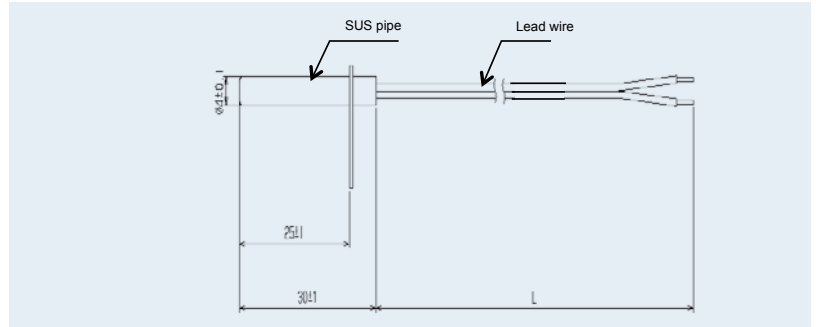


31. Flange pipe sensor

Easy to mount temperature sensor with integrated flange.

Zero power resistance R_{25} : $5.1 \text{ k}\Omega \pm 5\%$
 B value $B_{25/85}$: $3200 \text{ K} \pm 2\%$
 Temperature range: -10°C to 120°C

Thermal time constant: approx. 120 sec.
 Breakdown voltage: AC 1200 V 1 sec.
 Insulation resistance: DC 500 V 100 M Ω +



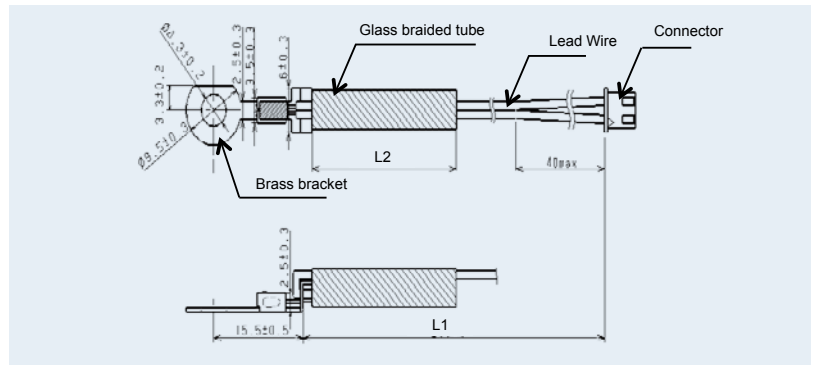
Heater temperature measurement

32. Eyelet (lug terminal) sensor

Highly heat resistant screw mount type temperature sensor with metal terminal.

Zero power resistance R_{100} : $3.3 \text{ k}\Omega \pm 2.5\%$
 B value $B_{0/100}$: $3970 \text{ K} \pm 2\%$
 Temperature range (except connector): -20°C to 180°C

Thermal time constant: approx. 78 sec.
 Breakdown voltage: AC 1200 V 1 sec.
 Insulation resistance: DC 500 V 100 M Ω +



33. M5 screw housing sensor

Screw mount type temperature sensor that can be mounted directly to a heater block.

Zero power resistance R_{135} : $3.138 \text{ k}\Omega \pm 3\%$
 B value $B_{25/85}$: $3750 \text{ K} \pm 3\%$
 Temperature range: -50°C to 250°C

Thermal time constant: approx. 240 sec.
 Breakdown voltage: AC 600 V 1 sec.
 Insulation resistance: DC 500 V 100 M Ω +

